



# MSEX25-i Product Brief

## Single Port GreenPHY Differential Line Driver

Version: 1.1  
Release Date: 2022/3/4

© 2021 Vertexcom Technologies, Inc.

This document contains information that is proprietary to Vertexcom Technologies, Inc.

Unauthorized reproduction of this information in whole or in part is strictly prohibited.

## 1. General Description

MSEX25-i is a single port differential line driver developed for Power Line Communication (PLC) and HomePlug GreenPHY applications. The device is designed for automotive grade applications, and being able to drive heavy line loads while maintaining high level of linearity required in PLC links. With 9dBm of total transmit signal power into 50Ohm line load, the driver achieves 40dB average MTPR distortion across the output spectrum up to 30MHz.

8

MSEX25-i is available in the thermally-enhanced 16-lead QFN package and is specified for operations in the -40°C to +105°C ambient temperature range.

11

## 2. Features

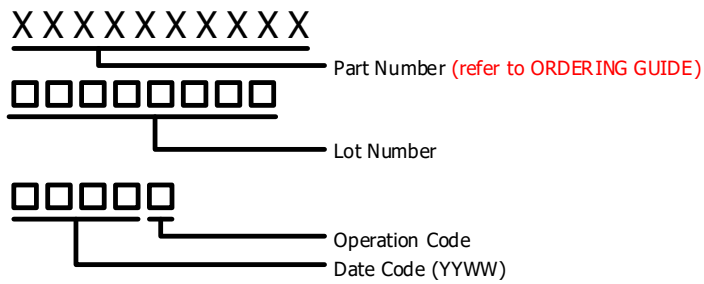
- **HomePlug® Specifications**
  - HomePlug GreenPHY compliant
  - Supports frequency range of 1.8 to 30MHz
  - Qualified at AEC-Q100 grade 2

17

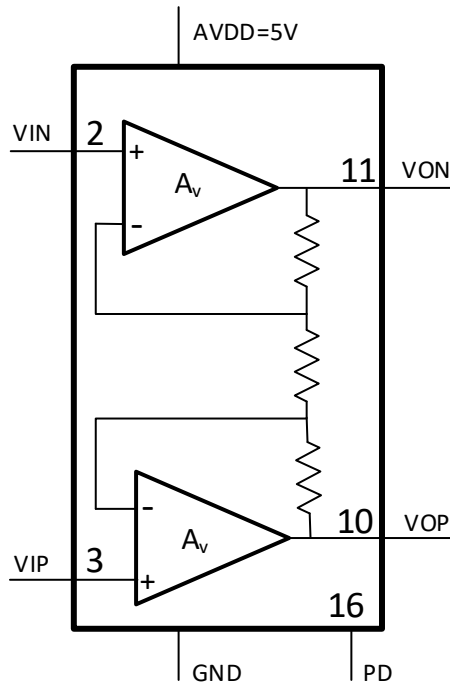
### 3. Ordering and Marking Information

Part Number	Temperature Range	Package Description	Package Option
MSEX25-i	-40°C to +105°C	QFN	16-pin
MSEX25-i-XX	-40°C to +105°C	QFN	16-pin

Note: XX suffix represents advanced features. Please contact Vertexcom sales representatives ([info@vertexcom.com](mailto:info@vertexcom.com)) for details.



1 **4. Block Diagram**



2  
3