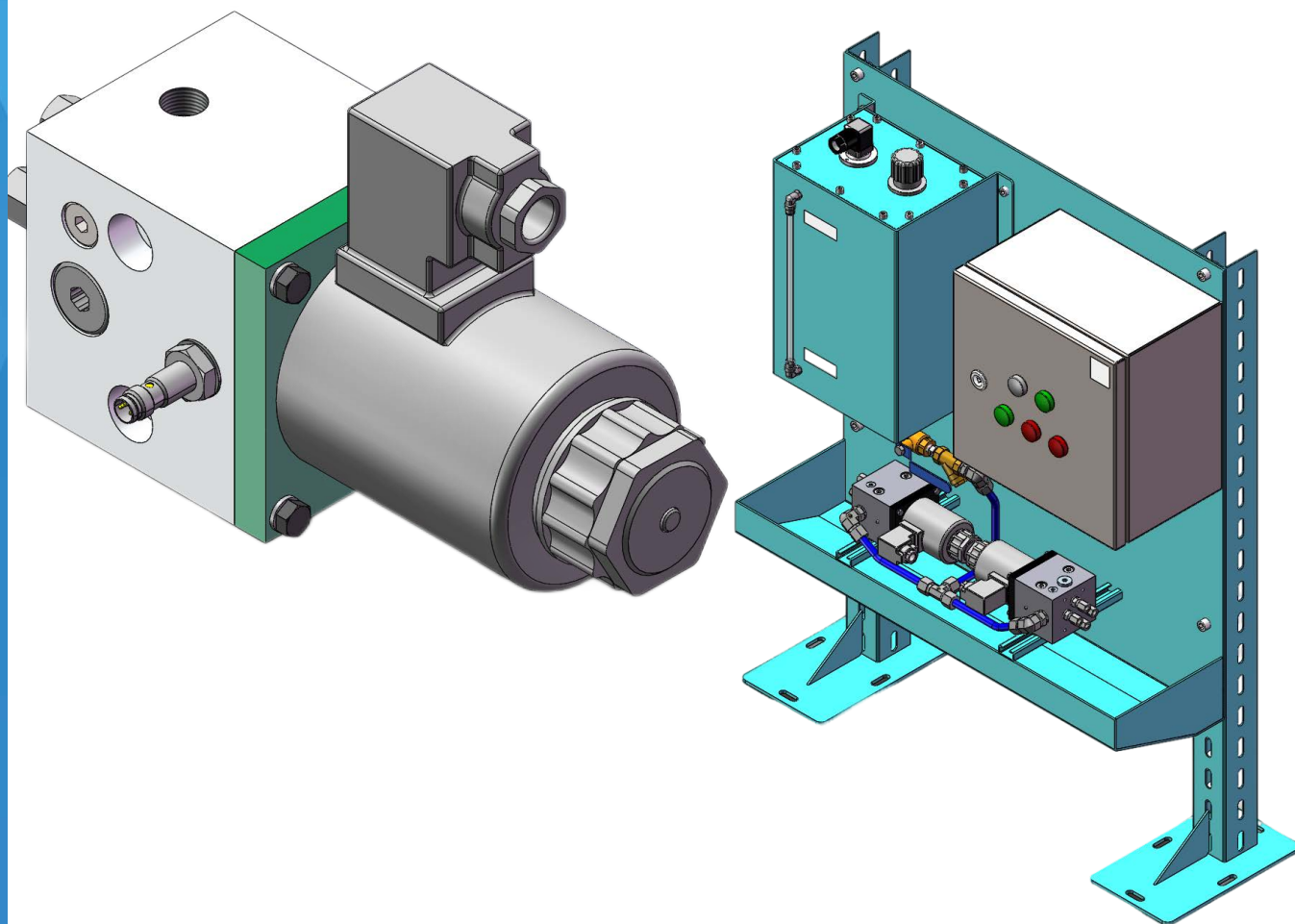


MG Solenoid Pump with Squirt Nozzles



MG Pump

The MG solenoid pump is designed for a contact-free oil lubrication of chains. The exact metered quantity of oil is squirted without air (airless), and without producing an oil mist, while the chain is in operation. The lubricant can also be directly applied via brushes or Jet nozzle.

The pump's fast cycle frequency of 5 Hertz enables trouble-free lubrication of fast moving chains. A single pump can supply 1, 2 to 4 oil squirt nozzles.

Double-nozzles are also available which further increase the number of points served by the pump. The metered quantity of oil per cycle is either 100 mm³

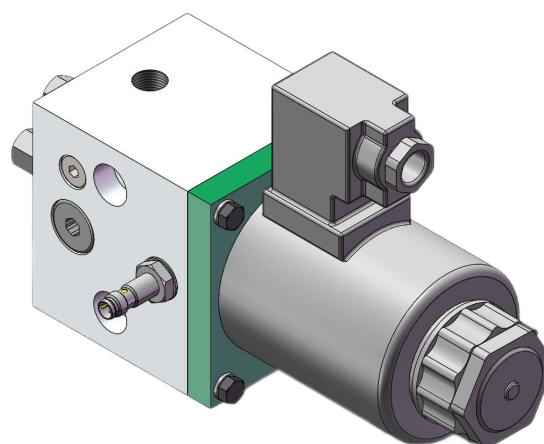
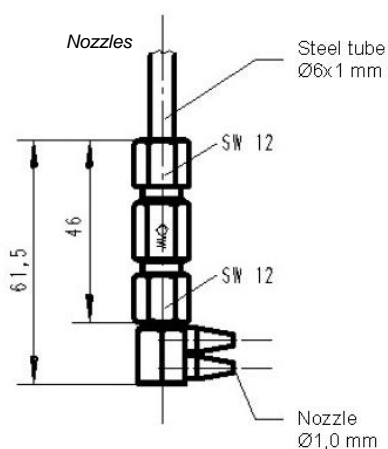
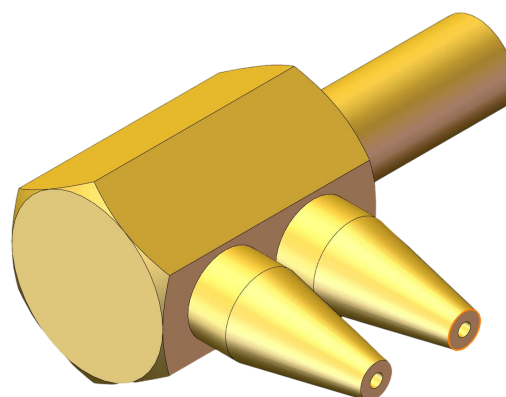
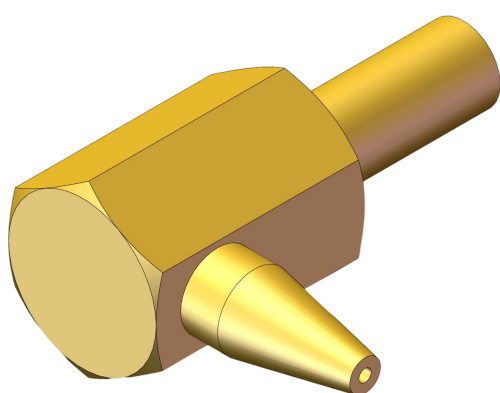
The drive magnet is characterized by its high performance and long duty-cycle, thus enabling a reliable operation of the pump in extreme conditions. The pump is available in 24 VDC, and 230 VAC versions. An optional proximity switch for the pump offers a simple method to electrically monitor the function.

Other accessories include a 4 or a 10 litre reservoir for oil. Both reservoirs are equipped with electrical low-level control and a large filling port comprising a strainer.

System Advantages & Features

- Metered oil quantity 100 mm³ per cycle
- Available in 24 VDC, and 230 VAC versions
- Optional electrical monitoring via a proximity switch
- 1, 2 to 4 outlets that can serve individual or double nozzles
- Up to 4 lubrication cycles per second (depending on the system)
- Airless lubrication – oil mist free

MG Solenoid Pump with Squirt Nozzles



MG Pump

Models with 0.25ml /0.10ml/0.05ml Output - Standard Versions

Part NO.	Description	Number of Outlets	Supply Voltage
1014002	1-0.25ml-24VDC	1	24VDC
1014003	2-0.10ml-24VDC	2	24VDC
1014004	4-0.05ml-24VDC	4	24VDC
1014005	1-0.25ml-230VAC	1	230VAC
1014006	2-0.10ml-230VAC	2	230VAC
1014007	4-0.05ml-230VAC	4	230VAC

Web site: www.soatoer.com - E-mail: sales@soatoer.com

TEL: +86-21-54888200 - FAX: +86-21-54888020